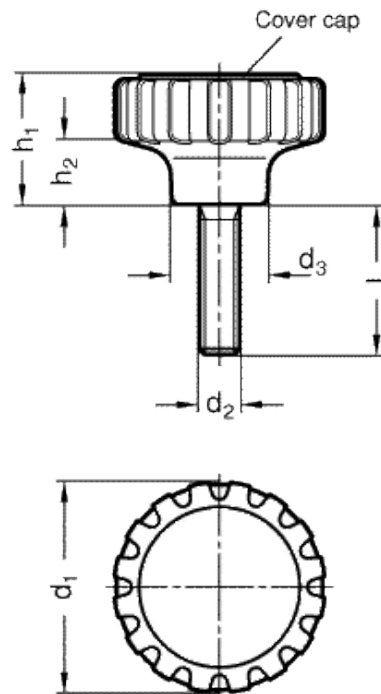


GN 7336-NI

Knurled knobs with threaded pin



INOX
Stainless Steel



technical informations

Material

Plastic, polyamide based (PA) technopolymer, glas fibre reinforced, temperature resistant up to 130 °C.

Threaded pin

AISI 304 stainless steel NI.

Cover cap

Light grey, matte.

Special executions on request (For sufficient quantities)

- Knurled knobs GN 7336-NI with nut threaded insert.
- Cover caps in different colours.
- Cover caps with printed lettering.

Features and applications

Knurled knobs GN 7336-NI distinguish an attractive design in combination with closed shape (no recess on the underside of the handles).

The threaded inserts are standard hexagonal nuts or hexagonal screws which are press-fitted in mechanically.

Standard Elements	Main dimensions				Threaded pin		Weight
	d ₁	d ₃	h ₁	h ₂	d ₂	l	g
GN 7336-34-M6-11-NI	34	16	20	10.5	M6	11	15
GN 7336-34-M6-15-NI	34	16	20	10.5	M6	15	20
GN 7336-34-M6-20-NI	34	16	20	10.5	M6	20	22
GN 7336-34-M6-25-NI	34	16	20	10.5	M6	25	25
GN 7336-34-M6-30-NI	34	16	20	10.5	M6	30	25
GN 7336-42-M8-15-NI	42	19	25	13	M8	15	40
GN 7336-42-M8-20-NI	42	19	25	13	M8	20	35
GN 7336-42-M8-25-NI	42	19	25	13	M8	25	32
GN 7336-42-M8-30-NI	42	19	25	13	M8	30	20
GN 7336-42-M8-40-NI	42	19	25	13	M8	40	40
GN 7336-53-M10-20-NI	53	24	31	16	M10	20	50
GN 7336-53-M10-25-NI	53	24	31	16	M10	25	55
GN 7336-53-M10-30-NI	53	24	31	16	M10	30	60
GN 7336-53-M10-40-NI	53	24	31	16	M10	40	80
GN 7336-53-M10-50-NI	53	24	31	16	M10	50	100



STANDARD MACHINE ELEMENTS WORLDWIDE