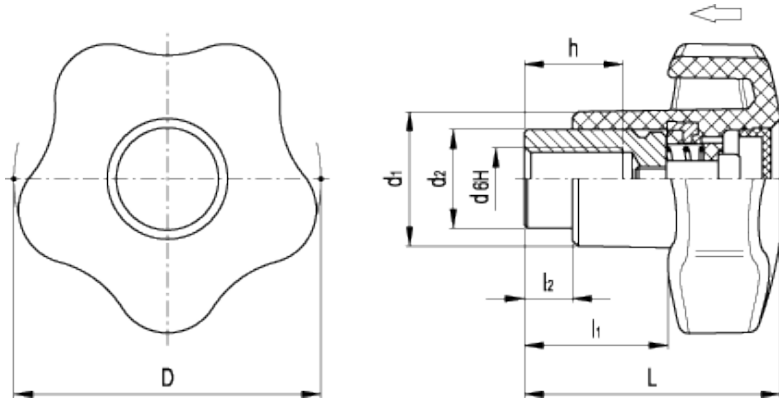


VCTS-Z

Adjustable lobe knobs
with push action



ELESA Original design



technical informations

Knob

Glass-fibre reinforced polyamide based (PA) technopolymer. Resistant to solvents, oils, greases and other chemical agents. Built-in zinc alloy toothed insert for coupling to the metal clamping element.

Colour

Black, matte finish.

Centre cap

Black technopolymer centre cap. On request and for sufficient quantities, it can be supplied in yellow RAL 1021 (safety) or in other colours, with customised graphic symbols, marks or writings.

Clamping element

Black-oxide steel with threaded bore and toothed element for coupling to the built-in zinc alloy insert, black-oxide steel retaining screw and AISI 302 stainless steel return spring.

Features and applications

Particularly suitable where the knob needs to turn freely to avoid that clamping may be accidentally affected.

Instructions

Press the knob to engage the tothing and turn it.
By releasing the knob the spring releases the tothing, thus the knob returns to the rest position.

Ergonomy and design

The particular design of this knob follows rigorous ergonomic standards: five-lobe shape, blended radius, well proportioned rim height offer a natural, safe and comfortable grip, allowing the operator to obtain a strong clamping action.

Standard Elements		Main dimensions						Mounting hole		Teeth no.	Weight
Code	Description	D	L	d ₁	d ₂	l ₁	l ₂	d	h	z	g
169631	VCTS-Z-40 A-M6	40	37	18	13.5	22	7	M6	10	24	36
169632	VCTS-Z-40 A-M8	40	37	18	13.5	22	7	M8	10	24	34
169642	VCTS-Z-50 A-M8	50	42	22	16	23	8	M8	14	26	54
169643	VCTS-Z-50 A-M10	50	42	22	16	23	8	M10	14	26	52



STANDARD MACHINE ELEMENTS WORLDWIDE