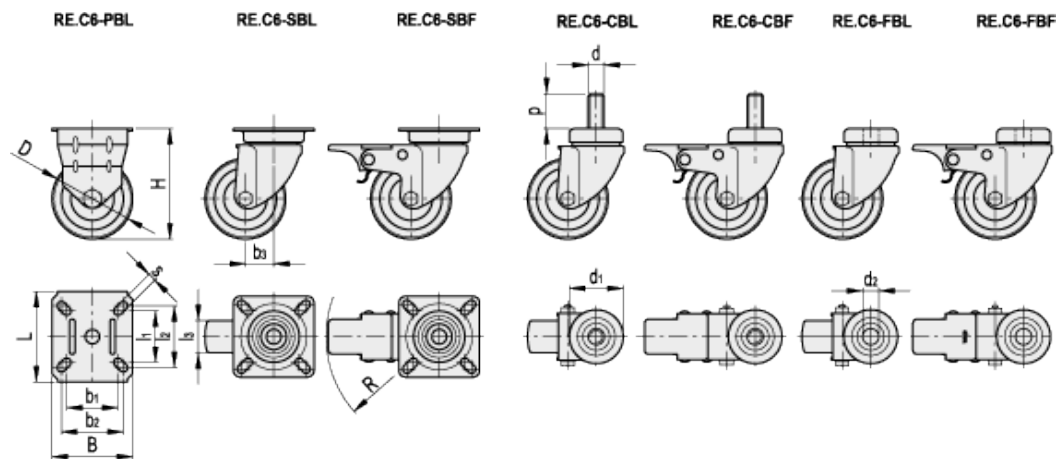


RE.C6

Injected polyurethan wheels for the general public



technical informations

Covering

Injected polyurethan, hardness 55 Shore D.

Wheel centre body

Polyamide-based technopolymer (PA). Resistant to solvents, oils and other chemicals.

Bore

Directly made into the centre.

Axle set

Calibrated zinc-plated steel precision tube. The tube serves as a spacer, is tightened to the bracket with screw and nut to a un predetermined torque value.
The wheel bore rotates onto the tube freely.

Fixed plate bracket

Electrolytically zinc-plated steel sheet bracket.

Turning plate bracket

Electrolytically zinc-plated steel sheet bracket.

The presence of two ball turns and the direct contact between the plate and the ball race ring with built-in pin ensure excellent manoeuvrability and very limited clearance.

Front-actuated brake

Total brake that locks the wheel and bracket rotation. The optimised dimensions and the retractable pedal ensure minimal space occupied and maximum actuation ease.

Standard executions

- PBL: fixed plate bracket, without brake.
- SBL: turning plate bracket, without brake.
- SBF: turning plate bracket, with brake.
- CBL: turning plate bracket and threaded centre pin, without brake.
- CBF: turning plate bracket and threaded centre pin, with brake.
- FBL: turning plate bracket with centre pass-through hole, without brake.
- FBF: turning plate bracket and pass-through hole, with brake.

Applications

Wheels for the general public, excellent smoothness and elasticity features, high wear and tearing resistance.

Environmental conditions

RE.C6 wheel is suitable for use in industrial and institutional environments, even in the presence of moisture and chemical agents.

The good resistance to frequent cleaning cycles makes it suitable for environments where it is necessary to ensure hygiene.



Standard Elements

Main dimensions

Dynamic carrying capacity #

Weight

Code	Description	D	l ₃	H	B	L	s	b ₁	l ₁	b ₂	l ₂	b ₃	R	d	p	d ₁	d ₂	[N]	g
451946	RE.C6-040-PBL	40	18	59	42	42	5	27	27	33	33	-	-	-	-	-	-	400	110
451948	RE.C6-050-PBL	50	18	66	55	55	6	38.5	38.5	44	44	-	-	-	-	-	-	550	120
451950	RE.C6-060-PBL	60	25	83	60	60	6	38	38	46	46	-	-	-	-	-	-	700	210
451926	RE.C6-040-SBL	40	18	59	42	42	5	30	30	33	33	24	-	-	-	-	-	400	110
451928	RE.C6-050-SBL	50	18	66	55	55	6	38.5	38.5	44	44	24	-	-	-	-	-	550	130
451930	RE.C6-060-SBL	60	25	83	60	60	6	38	38	48	48	21	-	-	-	-	-	700	240
451936	RE.C6-040-SBF	40	18	59	42	42	5	30	30	33	33	24	78	-	-	-	-	400	130
451938	RE.C6-050-SBF	50	18	66	55	55	6	38.5	38.5	44	44	24	76	-	-	-	-	550	160
451940	RE.C6-060-SBF	60	25	83	60	60	6	38	38	48	48	21	84	-	-	-	-	700	280
451956	RE.C6-040-CBL	40	18	59	-	-	-	-	-	-	-	24	-	M10	20	35	-	400	120
451958	RE.C6-050-CBL	50	18	66	-	-	-	-	-	-	-	24	-	M10	20	35	-	550	130
451960	RE.C6-060-CBL	60	25	83	-	-	-	-	-	-	-	21	-	M12	25	42	-	700	240
451966	RE.C6-040-CBF	40	18	59	-	-	-	-	-	-	-	24	78	M10	20	35	-	400	140
451968	RE.C6-050-CBF	50	18	66	-	-	-	-	-	-	-	24	76	M10	20	35	-	550	160
451970	RE.C6-060-CBF	60	25	83	-	-	-	-	-	-	-	21	84	M12	25	42	-	700	280
451976	RE.C6-040-FBL	40	18	59	-	-	-	-	-	-	-	24	-	-	-	35	10	400	100
451978	RE.C6-050-FBL	50	18	66	-	-	-	-	-	-	-	24	-	-	-	35	10	550	130
451980	RE.C6-060-FBL	60	25	83	-	-	-	-	-	-	-	21	-	-	-	42	13	700	240
451986	RE.C6-040-FBF	40	18	59	-	-	-	-	-	-	-	24	78	-	-	35	10	400	120
451988	RE.C6-050-FBF	50	18	66	-	-	-	-	-	-	-	24	76	-	-	35	10	550	130
451990	RE.C6-060-FBF	60	25	83	-	-	-	-	-	-	-	21	84	-	-	42	13	700	250

See [Technical Data](#) for dynamic carrying capacity.



ELESA and GANTER models all rights reserved in accordance with the law. Always mention the source when reproducing our drawings.

STANDARD MACHINE ELEMENTS WORLDWIDE