



CMC

Torque amplifier collar

Technopolymer



Main specifications

Bearing case material

Glass-fibre reinforced polyamide based (PA) technopolymer, black colour, matte finish.

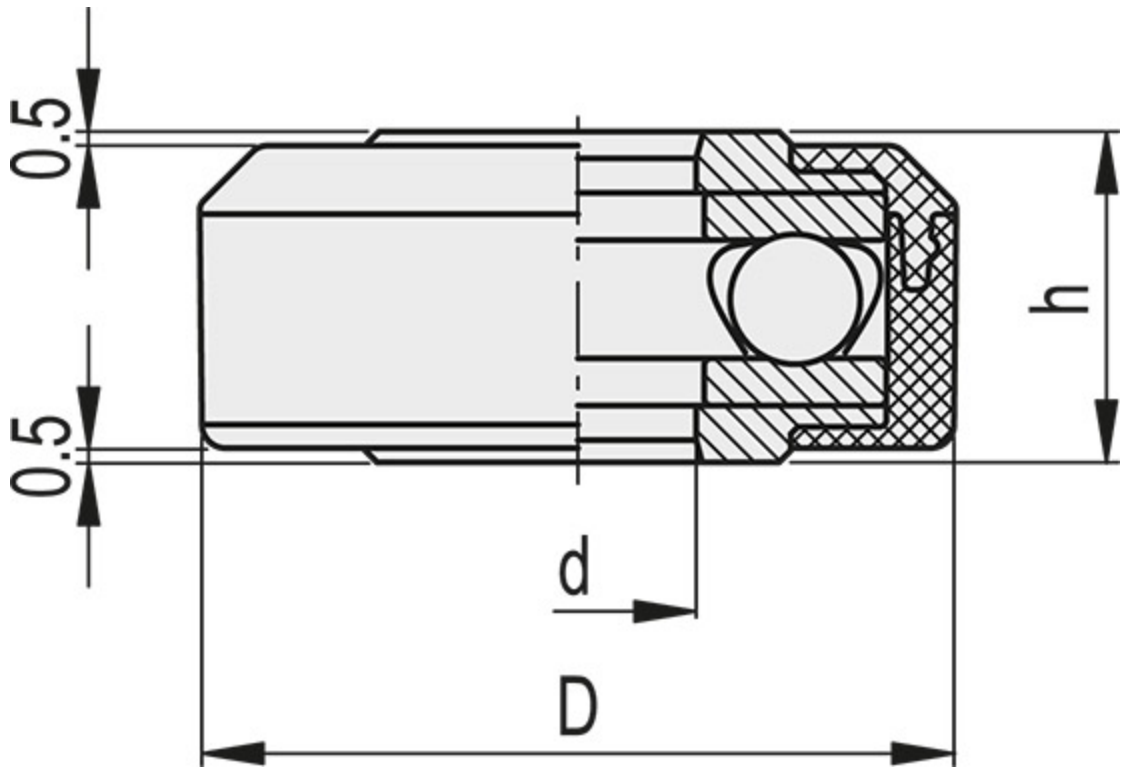
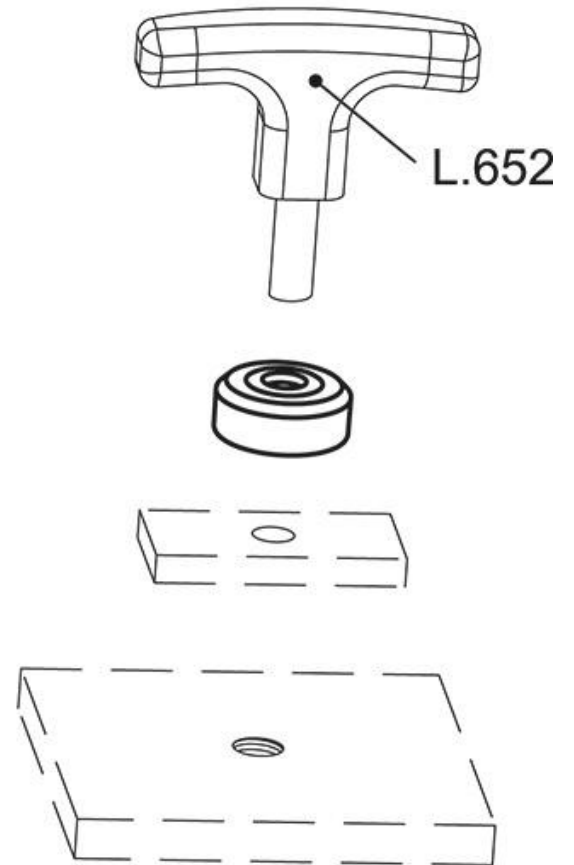
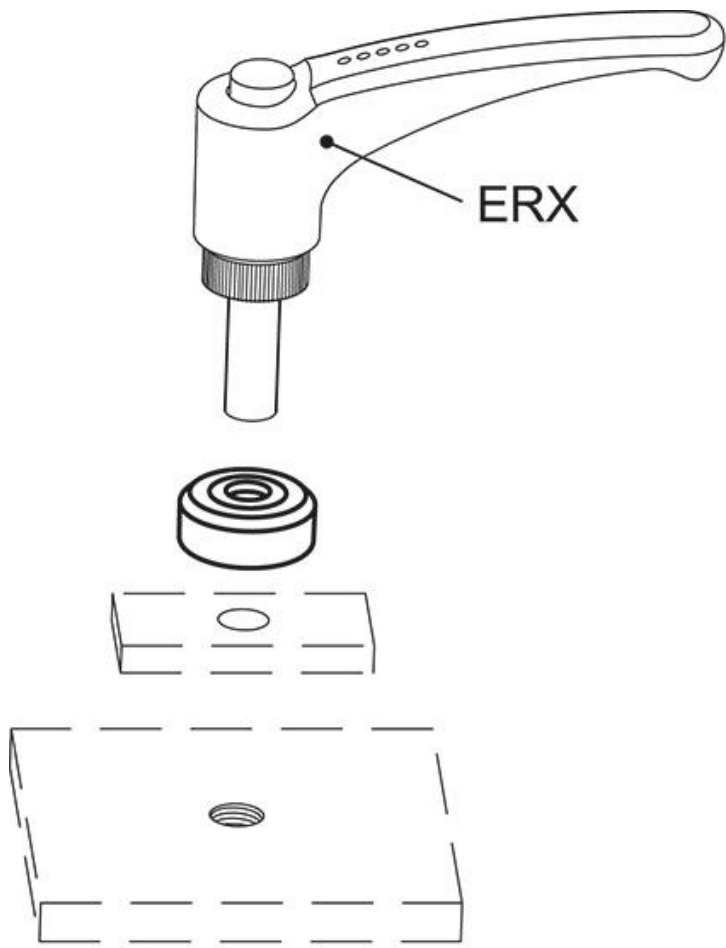
Standard executions

- **CMC**: AISI 52100 steel axial bearing, zinc-plated steel washers.
- **CMC-SST**: AISI 440 C stainless steel axial bearing, AISI 303 stainless steel washers.

General information

Features and applications

Used in combination with clamping levers ERX., ERW., MRX., ERF., clamping knobs type VCT.SOFT or handles type L.652, CMC torque amplifier collars double the clamping force applied at equal torque due to the presence of a bearing acting to reduce friction.



Code	Description	D	h	d	Weight
32401	CMC.32-8	32	14	8	38
32402	CMC.32-10	32	14	10	37
32403	CMC.32-12	32	14	12	36

Code	Description	D	h	d	Weight
32411	CMC.32-SST-8	32	14	8	38
32412	CMC.32-SST-10	32	14	10	37
32413	CMC.32-SST-12	32	14	12	36
