

Stainless Steel- Telescopic slides

with full extension, load capacity up to 510 N

SPECIFICATION

Type

- Type **F**: with rubber stop, locking device in back, detach function

Identification no.

- No. **1**: Fastening using through-holes

Slide profile and bearings

Stainless Steel

AISI 304 **NI**

Ball cage of outer slide

Plastic

Ball cage of inner slide

Stainless Steel

AISI 304

Rubber stop and detach function

Plastic / Elastomer

Lubricant

Roller bearing grease, FDA-compliant

Operating temperature -20 °C to 100 °C



INFORMATION

Stainless Steel-Telescopic slides GN 1450 are installed vertically and in pairs. The stroke reaches $\approx 100\%$ of the nominal length l_1 (full extension).

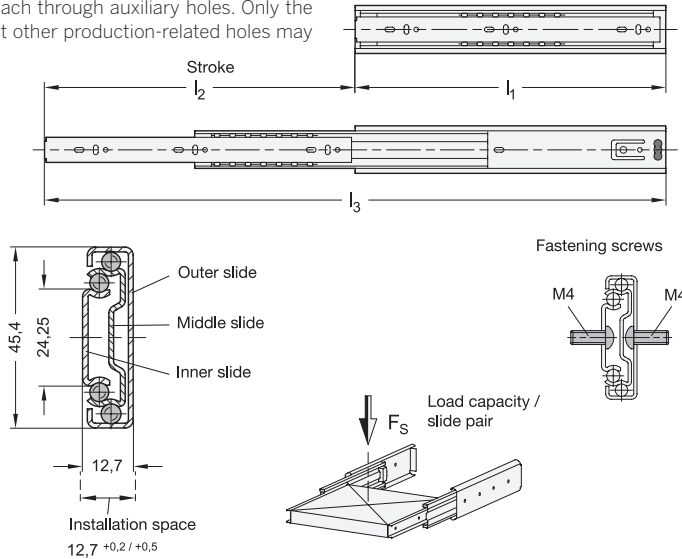
The telescopic slides are delivered in **pairs**. They can be installed on the extension on either the left or right side due to the mechanics. All mounting holes are easy to reach through auxiliary holes. Only the mounting holes are shown, but other production-related holes may be present.

TECHNICAL INFORMATION

- Stainless Steel characteristics (see page A26)

ON REQUEST

- other lengths and hole spacing
- other attachment options



GN 1450

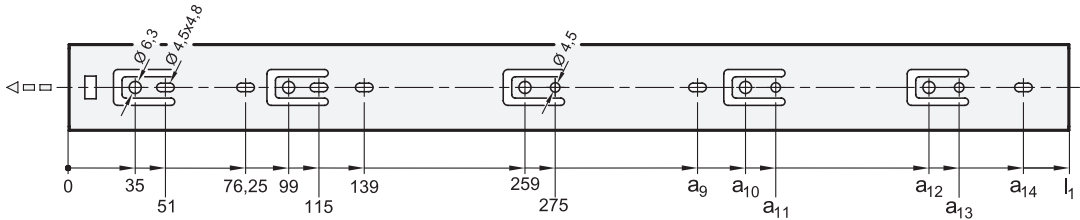
STAINLESS STEEL

Description	l_1	$l_2 + 3/-3$	l_3	F_s per pair in N at 10,000 cycles	F_s per pair in N at 100,000 cycles	
GN 1450-300-F-1-NI	300*	300	600	460	340	890
GN 1450-350-F-1-NI	350*	350	700	480	360	1050
GN 1450-400-F-1-NI	400*	400	800	510	390	1180
GN 1450-450-F-1-NI	450*	450	900	510	390	1290
GN 1450-500-F-1-NI	500*	500	1000	480	360	1450
GN 1450-550-F-1-NI	550*	550	1100	460	340	1610
GN 1450-600-F-1-NI	600*	600	1200	440	340	1750

* The telescopic slides are delivered in pairs.

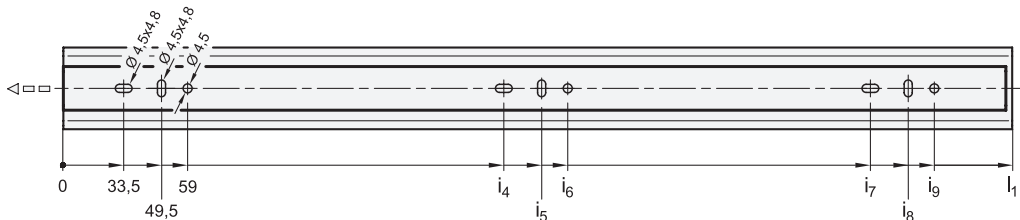


Mounting holes - Outer slide



l1	a9	a10	a11	a12	a13	a14
300	-	-	-	-	-	-
350	309	-	-	-	-	-
400	-	323	339	-	-	373
450	361.5	387	403	-	-	-
500	361.5	387	403	451	467	-
550	361.5	387	403	451	467	501
600	361.5	387	403	515	531	565

Mounting holes - Inner slide



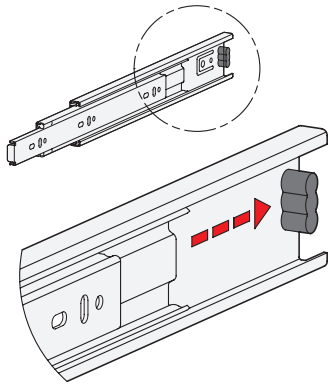
l1	i4	i5	i6	i7	i8	i9
300	129.5	145.5	155	257.5	273.5	283
350	161.5	177.5	187	289.5	305.5	315
400	193.5	209.5	219	353.5	369.5	379
450	193.5	209.5	219	385.5	401.5	411
500	225.5	241.5	251	449.5	465.5	475
550	257.5	273.5	283	481.5	497.5	507
600	289.5	305.5	315	545.5	561.5	571

Fastening screws

For the said loading forces F_s to be absorbed reliably in the surrounding structure, all available through-holes of the outer and inner slide having a diameter (\varnothing) of 4.5 must be used. Alternatively, the outer slide has holes with a diameter (\varnothing) of 6.3 for Euro screws. The elongated holes, $\varnothing 4.5 \times 4.8$, are used likewise for fastening and facilitate adjustment during mounting when needed. Failure to use fastening screws reduces the specified load capacity accordingly. The following screws can be used for mounting:

Designation - standard	Outer slide	Inner slide
Hexagon socket button head screw ISO 7380	M 4	M 4
Pan head screw, Phillips ISO 7045	M 4	M 4
Pan head tapping screw, Phillips ISO 7049	ST 3.9 / 4.2	ST 3.9 / 4.2

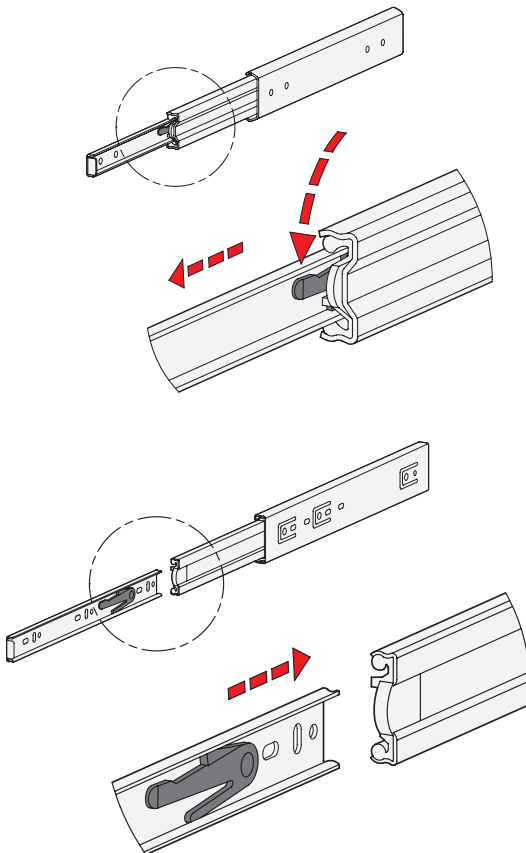


Rubber stop, locking device in back

The rubber stops of type F dampen the impact of the slide in the respective end position. This feature minimizes noise development and increases the lifespan. Attached to the slides in a partially concealed, partially visible manner, the stops meet each of the requirements in regard to shape, material, and hardness.

The rubber stop takes on also a locking function in the back stop position. This feature is noticeable through a slight resistance on opening and closing the slide.

If larger static or dynamic loads occur in the direction of extension, they should be absorbed by external stop elements.

Detach function

Type F has additionally a detach function through which the extension slides can be completely separated from one another in the area of the middle and inner slide. This feature not only facilitates mounting. It also allows the extension to be quickly removed, for example, when frequent maintenance work is performed on the components located behind.

The telescopic slide can be quickly and easily detached in the extracted position through activation of the release lever, allowing the inner slide to be removed from the front.

For reattaching the slides, the ball cages need to be moved to the front end position. Then the inner slide is inserted to the back end stop where it locks into place automatically.

The protected arrangement of the release mechanism prevents accidental detachment of the slide.