

Horizontal acting toggle clamps

Steel / Stainless Steel, with vertical mounting base

SPECIFICATION

Types

- Type **MF**: U-bar version, with two flanged washers
- Type **MFC**: U-bar version, with two flanged washers and GN 708.1 spindle assembly (see page 1625)

Version in Steel

- Case-hardened Steel C10, zinc plated, blue passivated
- Bearing pins tempered
- Bearing rivets (for size 355 and up), case-hardened

All moving parts lubricated with special grease

Hand grip

High quality, oil resistant red plastic

Spindle assembly GN 708.1, Type A (see page 1625)

- Steel, zinc plated
- Rubber tip 85 Shore A

Version in Stainless Steel NI

Stainless Steel AISI 304

All moving parts lubricated with special grease

Hand grip

High quality, oil resistant red plastic

Spindle assembly GN 708.1, Type A (see page 1625)

- Stainless Steel AISI 304
- Rubber tip 85 Shore A

TECHNICAL INFORMATION

- Stainless Steel characteristics (see page A26)

ACCESSORY

- Spindle assemblies (see page 1623)
- GN 801 clamp mounts for toggle clamps (for Type MF) (see page 1629)



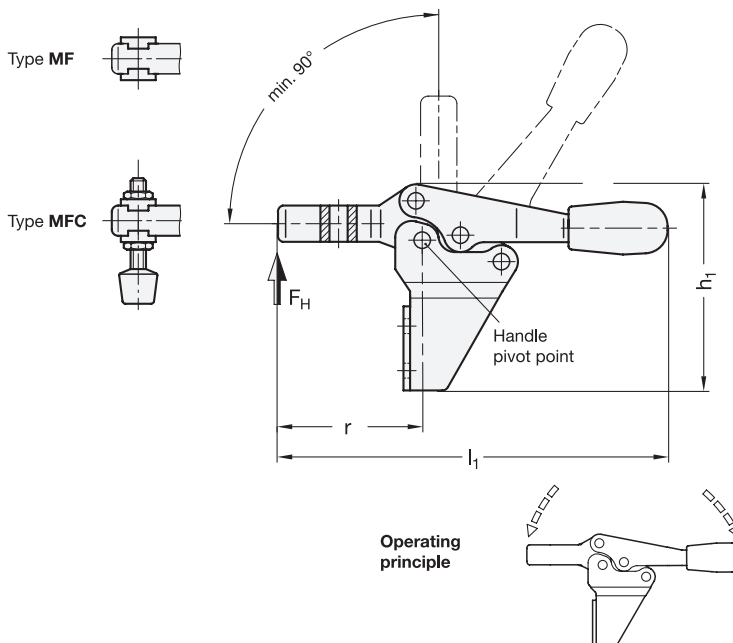
INFORMATION

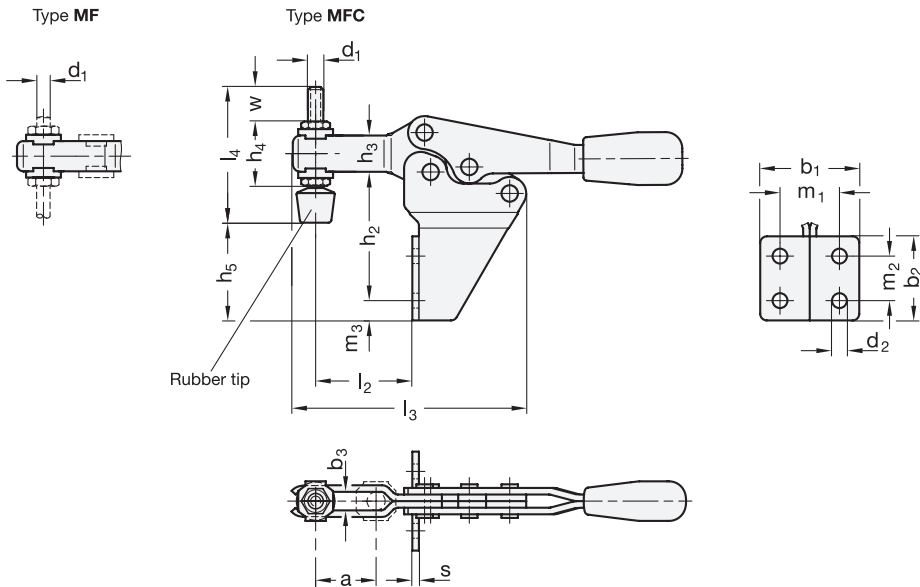
GN 820.2 horizontal acting toggle clamps work according to the toggle principle: lever and clamping bar move in the opposite direction.

They require less space for the clamping action. In the clamped position the operating lever is in its horizontal position. The 90° rotated mounting surface allows a space-saving installation in addition to the clamping point.

Horizontal acting toggle clamps in the U-bar version with two flanged washers (Type MF) can accommodate an application specific clamping screw. A spindle assembly with neoprene rubber tip is also included for Type MFC.

- General information for toggle clamps (see page 1560)





* Complete with type index of the horizontal acting toggle clamps
MF MFC

GN 820.2

Description	Size	FH in N	a ≈	b1	b2	b3	d1	d2	h1	h2	h3	h4	h5 max.	l1	l2	l3	l4	m1	m2	m3	r	s	w	⚖	
GN 820.2-75-*	75	900	20	30	25.5	5.5	M5	4.5	62	39	11	19	30	118	30	72	45	18	13.5	6	42.5	2	15	105	
GN 820.2-130-*	130	1000	32	39	35	6.5	M6	5.5	85	58.5	16	25.5	48.5	170	45	95	55	26	22	6.5	61	2.5	17.5	240	
GN 820.2-230-*	230	1700	37	43	40	8.5	M8	6.5	102	69	18	30	53	195	52	113	68	28.5	24	8	70	3	20	400	
GN 820.2-355-*	355	1800	58	52	52	10.5	M10	8.5	135	92	22	37	75.5	270	85	166	77	32	32	10	108.5	3.5	19	840	

GN 820.2-NI

STAINLESS STEEL

Description	Size	FH in N	a ≈	b1	b2	b3	d1	d2	h1	h2	h3	h4	h5 max.	l1	l2	l3	l4	m1	m2	m3	r	s	w	⚖	
GN 820.2-75-*-NI	75	900	20	30	25.5	5.5	M5	4.5	62	39	11	19	30	118	30	72	45	18	13.5	6	42.5	2	15	105	
GN 820.2-130-*-NI	130	1000	32	39	35	6.5	M6	5.5	85	58.5	16	25.5	48.5	170	45	95	55	26	22	6.5	61	2.5	17.5	240	
GN 820.2-230-*-NI	230	1700	37	43	40	8.5	M8	6.5	102	69	18	30	53	195	52	113	68	28.5	24	8	70	3	20	400	

Weight type MF

