

Fluted grip knobs

for screwing with a screwdriver, technopolymer

MATERIAL

Polyamide based (PA) technopolymer, black colour, matte finish.

STANDARD EXECUTIONS

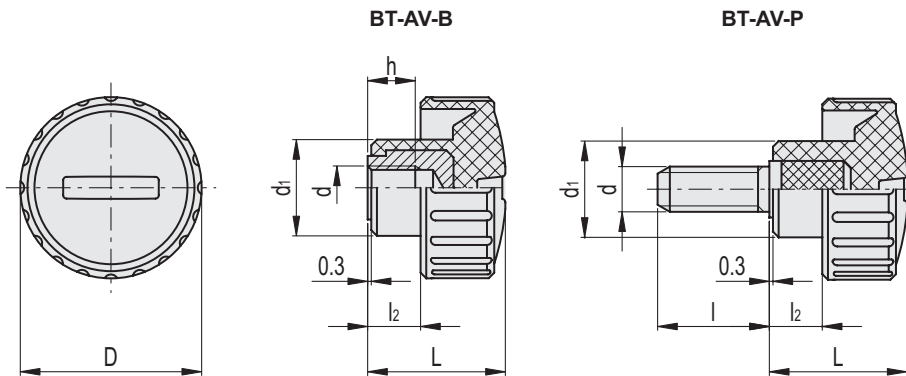
- **BT-AV-B:** brass boss, threaded blind hole.
- **BT-AV-p:** zinc-plated steel threaded stud, chamfered flat end according to UNI EN ISO 4753:2012 (see Technical data on page -).

FEATURES AND APPLICATIONS

The slot in the upper part is an ideal support when you have to tighten with a 6.5 mm flat-blade screwdriver.



ELESA Original design



Code	Description	D	d6H	L	d1	l2	h	⚖
7310	BT.12 AV-B-M3	12	M3	12	9.5	4	6	5
7311	BT.12 AV-B-M4	12	M4	12	9.5	4	6	4
7312	BT.12 AV-B-M5	12	M5	12	9.5	4	6	3
7320	BT.16 AV-B-M3	16	M3	13.5	11	5	6	6
7321	BT.16 AV-B-M4	16	M4	13.5	11	5	6	5
7322	BT.16 AV-B-M5	16	M5	13.5	11	5	6	4
7521	BT.20 AV-B-M5	20	M5	16	11	6	6	5
7522	BT.20 AV-B-M6	20	M6	16	11	6	6	4

Code	Description	D	d6g	L	d1	l	l2	⚖
7337	BT.12 AV-p-M3x6	12	M3	12	9.5	6	4	2
7338	BT.12 AV-p-M3x10	12	M3	12	9.5	10	4	2
7340	BT.12 AV-p-M4x6	12	M4	12	9.5	6	4	2
7341	BT.12 AV-p-M4x10	12	M4	12	9.5	10	4	3
7343	BT.12 AV-p-M5x10	12	M5	12	9.5	10	4	4
7344	BT.12 AV-p-M5x16	12	M5	12	9.5	16	4	4
7347	BT.16 AV-p-M3x6	16	M3	13.5	11	6	5	2
7348	BT.16 AV-p-M3x10	16	M3	13.5	11	10	5	2
7350	BT.16 AV-p-M4x6	16	M4	13.5	11	6	5	2
7351	BT.16 AV-p-M4x10	16	M4	13.5	11	10	5	3
7356	BT.16 AV-p-M4x16	16	M4	13.5	11	16	5	3
7371	BT.16 AV-p-M5x10	16	M5	13.5	11	10	5	6
7376	BT.16 AV-p-M5x16	16	M5	13.5	11	16	5	7
7541	BT.20 AV-p-M5x10	20	M5	16	11	10	6	6
7546	BT.20 AV-p-M5x16	20	M5	16	11	16	6	7
7548	BT.20 AV-p-M5x20	20	M5	16	11	20	6	8
7571	BT.20 AV-p-M6x10	20	M6	16	11	10	6	7
7576	BT.20 AV-p-M6x16	20	M6	16	11	16	6	8
7581	BT.20 AV-p-M6x25	20	M6	16	11	25	6	9