

Handwheels

for Linear Actuators, Aluminum, Powder Coated

SPECIFICATION

Types

- Type **A**: Without handle
- Type **R**: With revolving handle
- Type **RU**: With revolving retractable handle (only for $d_1 = 30$ to 60)

Aluminum die casting

- Machined hub
- Turned rim
- Powder coated
- Black, RAL 9005, textured finish **SW**

Concentricity and axial run-out tolerance of the rim < 0.4

Revolving handles / Retractable handles GN 798.2 (see page 578) / GN 798.3 (see page 586)

INFORMATION

Handwheels GN 9234 are intended for use with linear actuators and are designed as disk or spoked handwheels, depending on their size.

The applied torque is transmitted by means of a parallel key, and the handwheel is secured axially with the supplied grub screw. The handwheels can be ordered without handles, with revolving handles or with revolving retractable handles.

TECHNICAL INFORMATION

- Keyway DIN 6885 (see page A16)
- Cross holes GN 110 (see page A17)
- ISO-Fundamental Tolerances (see page A21)



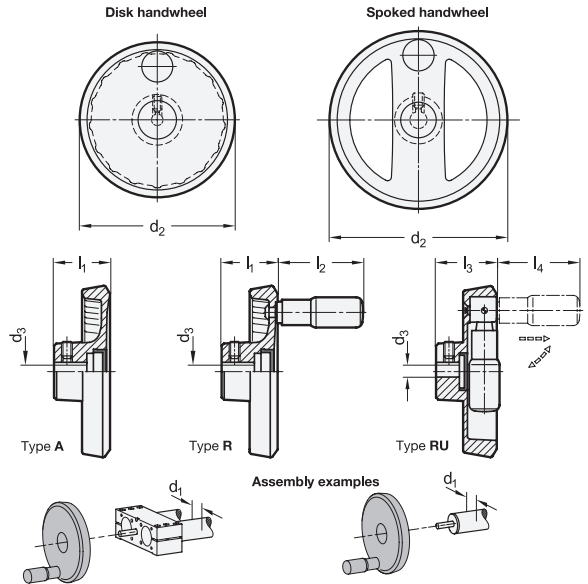
reddot design award

GN 9234-A

Description	d_1	d_2 Disk handwheel	d_2 Spoked handwheel	d_3 H7 Bore	$l_1 \approx$	
GN 9234-18-80-A-SW	18	80	-	6	26	105
GN 9234-30-100-A-SW	30	100	-	8	30	158
GN 9234-40-100-A-SW	40	100	-	12	30	155
GN 9234-40-125-A-SW	40	-	125	12	33.5	260
GN 9234-50-140-A-SW	50	-	140	12	36.5	351
GN 9234-60-160-A-SW	60	-	160	14	39.5	491

GN 9234-R

Description	d_1	d_2 Disk handwheel	d_2 Spoked handwheel	d_3 H7 Bore	$l_1 \approx$	$l_2 \approx$	
GN 9234-18-80-R-SW	18	80	-	6	26	43.5	132
GN 9234-30-100-R-SW	30	100	-	8	30	58	189
GN 9234-40-100-R-SW	40	100	-	12	30	58	186
GN 9234-40-125-R-SW	40	-	125	12	33.5	61.5	339
GN 9234-50-140-R-SW	50	-	140	12	36.5	76.5	437
GN 9234-60-160-R-SW	60	-	160	14	39.5	76.5	577



GN 9234-RU

Description	d_1	d_2 Disk handwheel	d_2 Spoked handwheel	d_3 H7 Bore	$l_3 \approx$	$l_4 \approx$	
GN 9234-30-100-RU-SW	30	100	-	8	39	56.5	260
GN 9234-40-100-RU-SW	40	100	-	12	39	56.5	257
GN 9234-40-125-RU-SW	40	-	125	12	45	60.5	461
GN 9234-50-140-RU-SW	50	-	140	12	47	75.5	609
GN 9234-60-160-RU-SW	60	-	160	14	48	75.5	729