

Stainless Steel Wing Nuts

AISI 316

SPECIFICATION

Stainless steel precision casting

- AISI 316
- Matte shot-blasted finish **MT**
- Polished finish **PL**

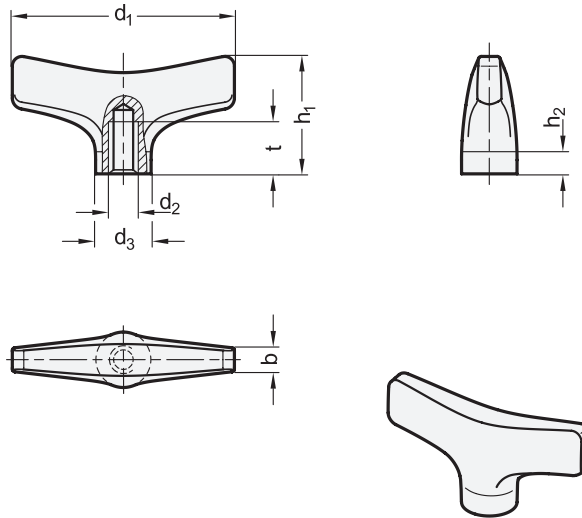
INFORMATION

Stainless steel wing nuts GN8340 clamp and fasten parts easily without tools. The ergonomic shape allows for high tightening forces.

The wing nuts can also be used in particularly aggressive environments thanks to the material used.

TECHNICAL INFORMATION

- Stainless Steel Characteristics (see page A26)



* Complete with surface index of the Wing Nuts (MT or PL)

MT Matte shot-blasted finish
PL Polished finish

GN 8340

STAINLESS STEEL

Description	d1	d2	b	d3	h1	h2 ≈	t min.	⚖️
GN 8340-32-M5-*	32	M 5	4	9	18	3	8	15
GN 8340-32-M6-*	32	M 6	4	9	18	3	9	15
GN 8340-40-M6-*	40	M 6	4	11	21	3	9	28
GN 8340-40-M8-*	40	M 8	4	11	21	3	12	15
GN 8340-50-M8-*	50	M 8	6	13	26	3	12	50
GN 8340-50-M10-*	50	M 10	6	13	26	3	15	46
GN 8340-63-M10-*	63	M 10	11	16	33	4	15	92
GN 8340-63-M12-*	63	M 12	11	16	33	4	18	87

Weight type MT